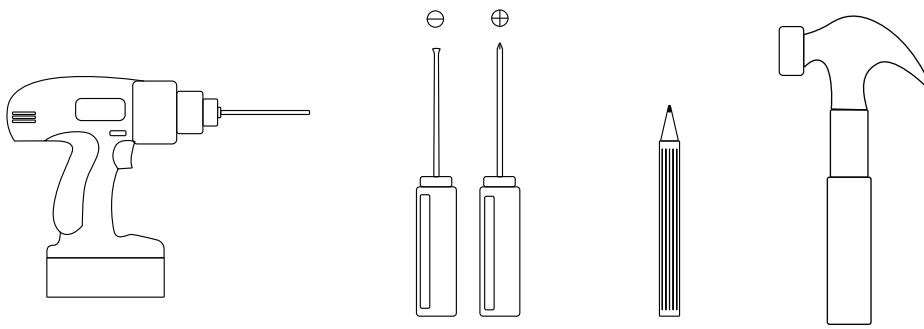
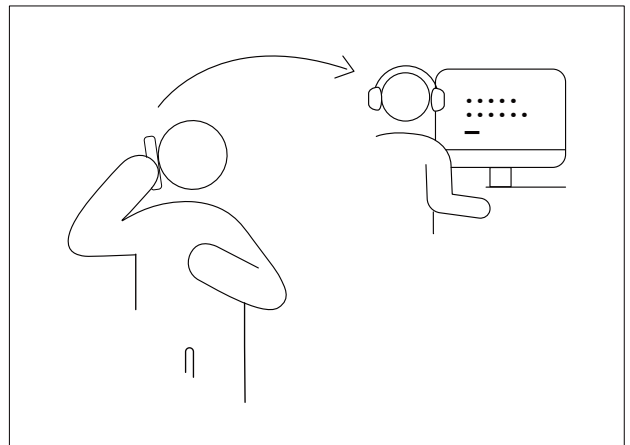
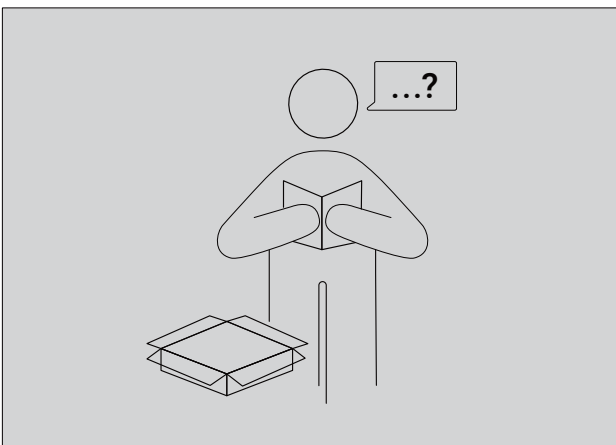
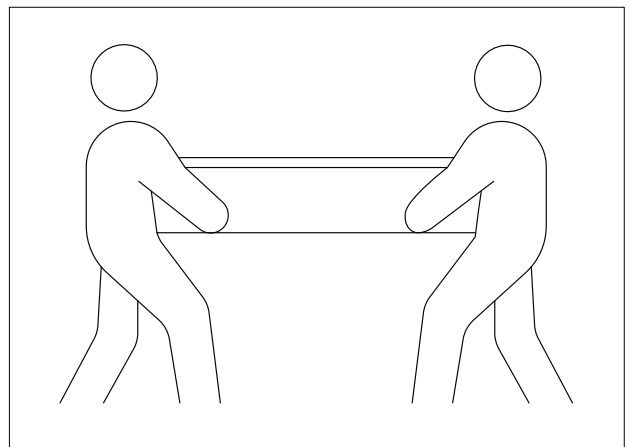
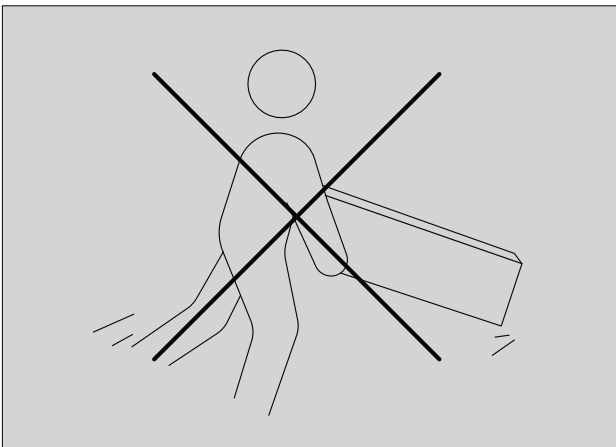
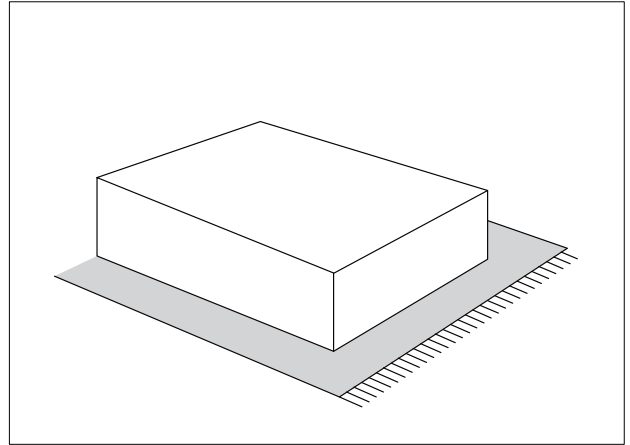
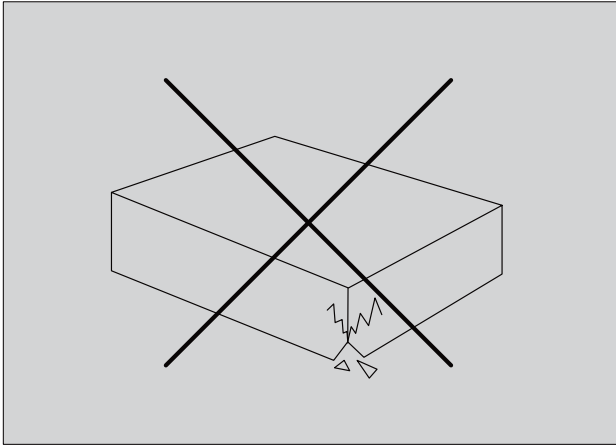


Coffee Table

Perfectly designed with simplicity in mind

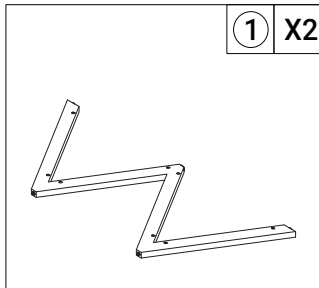


If you have these tools at home to assist you, assembly will be quicker.
If not, no worries, we have included everything required for assembly in the package.

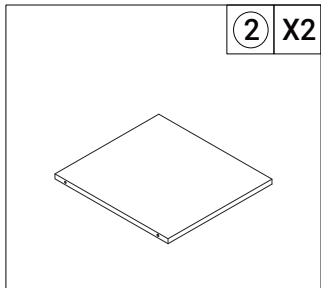


PARTS

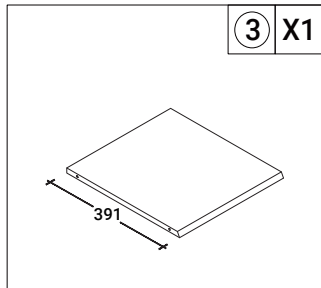
① X2



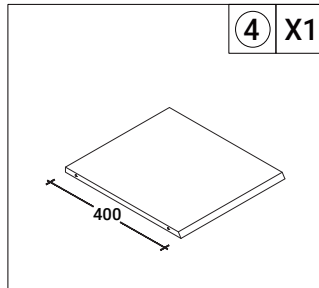
② X2



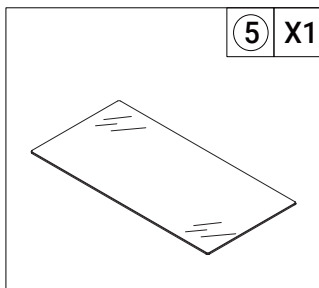
③ X1



④ X1



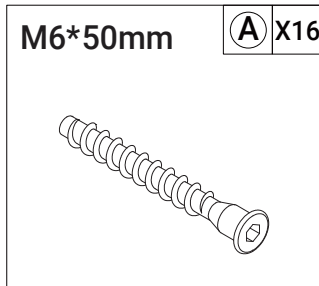
⑤ X1



HARDWARE

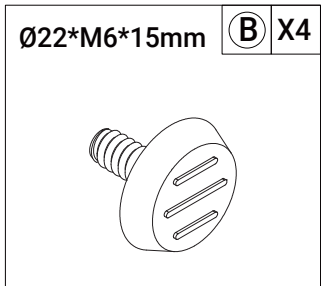
M6*50mm

Ⓐ X16



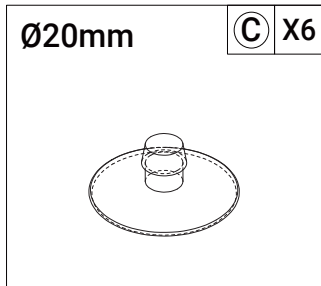
Ø22*M6*15mm

Ⓑ X4



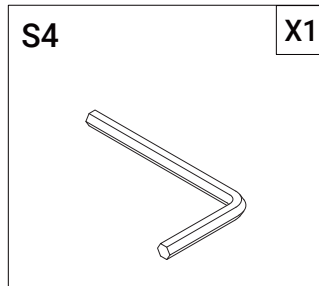
Ø20mm

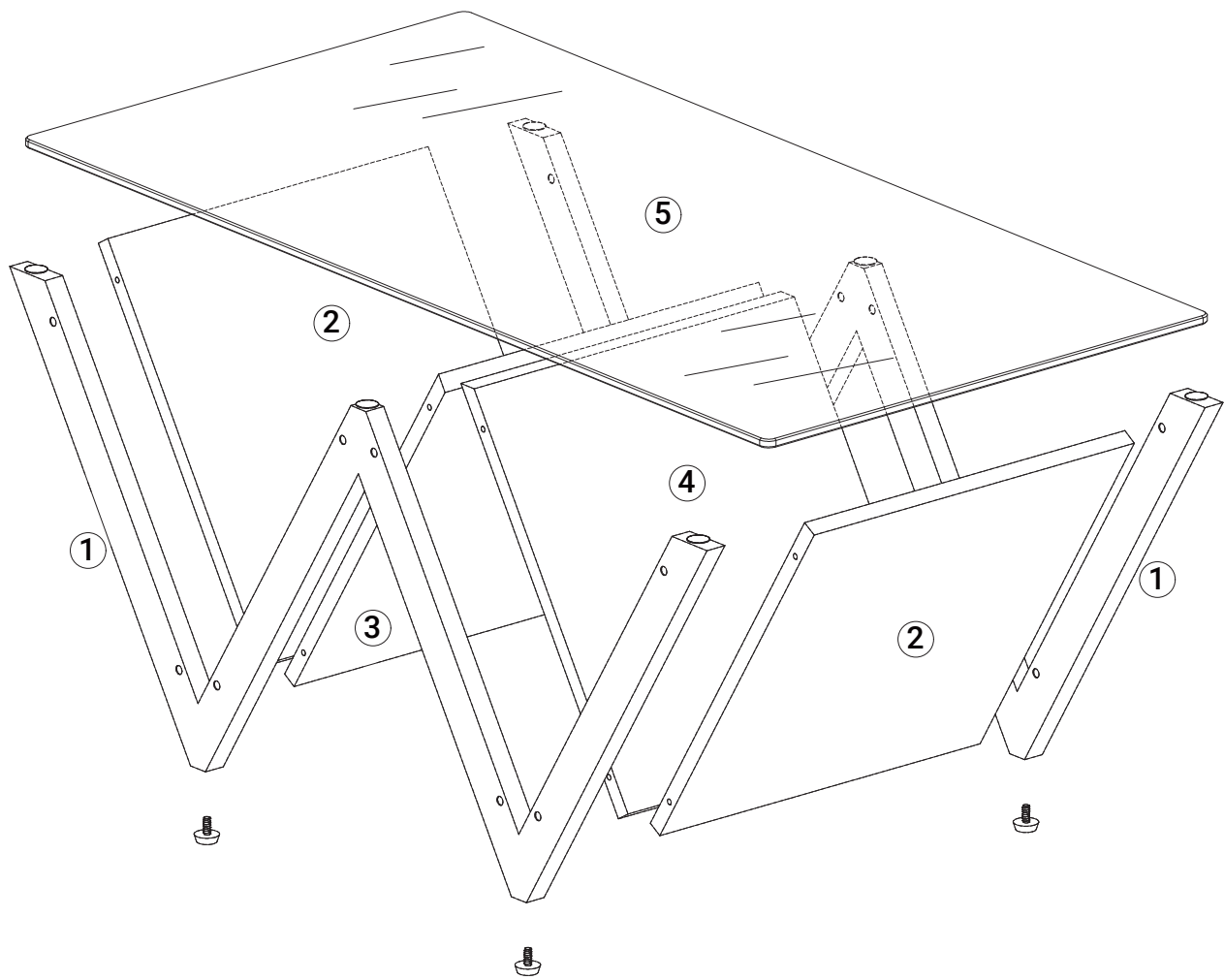
Ⓒ X6



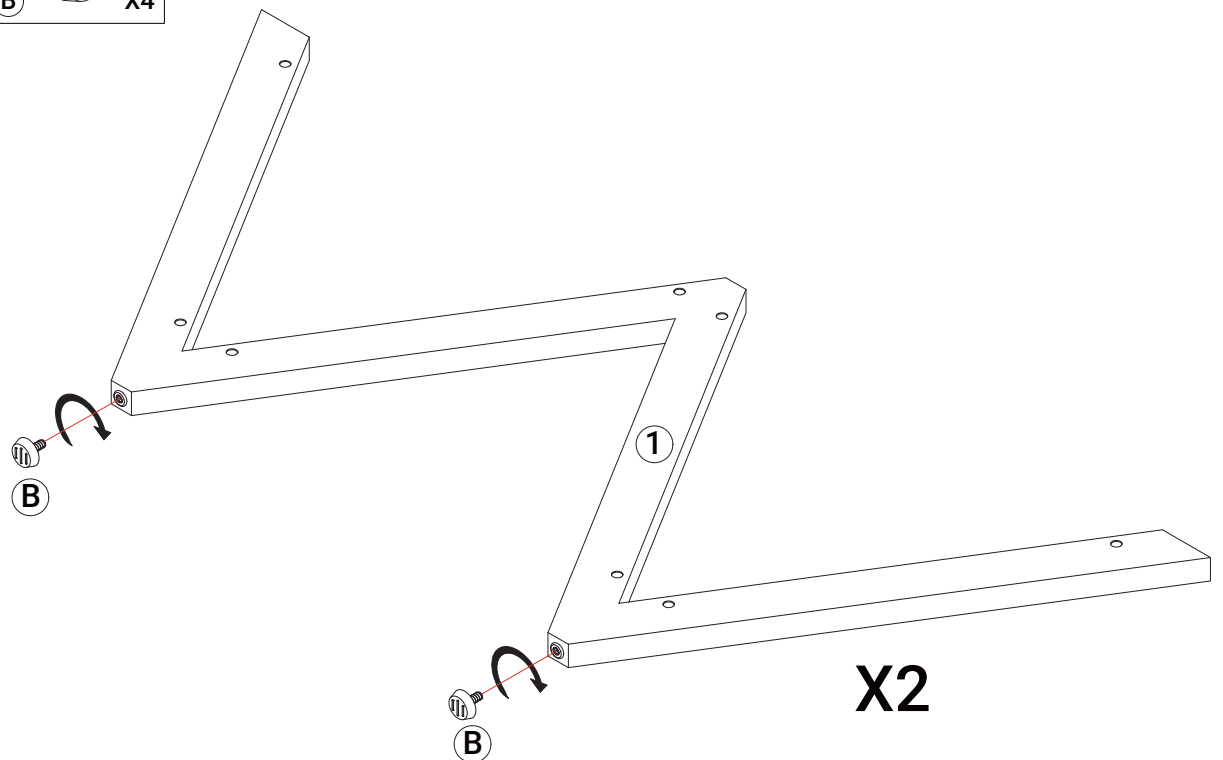
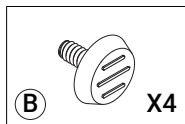
S4

X1

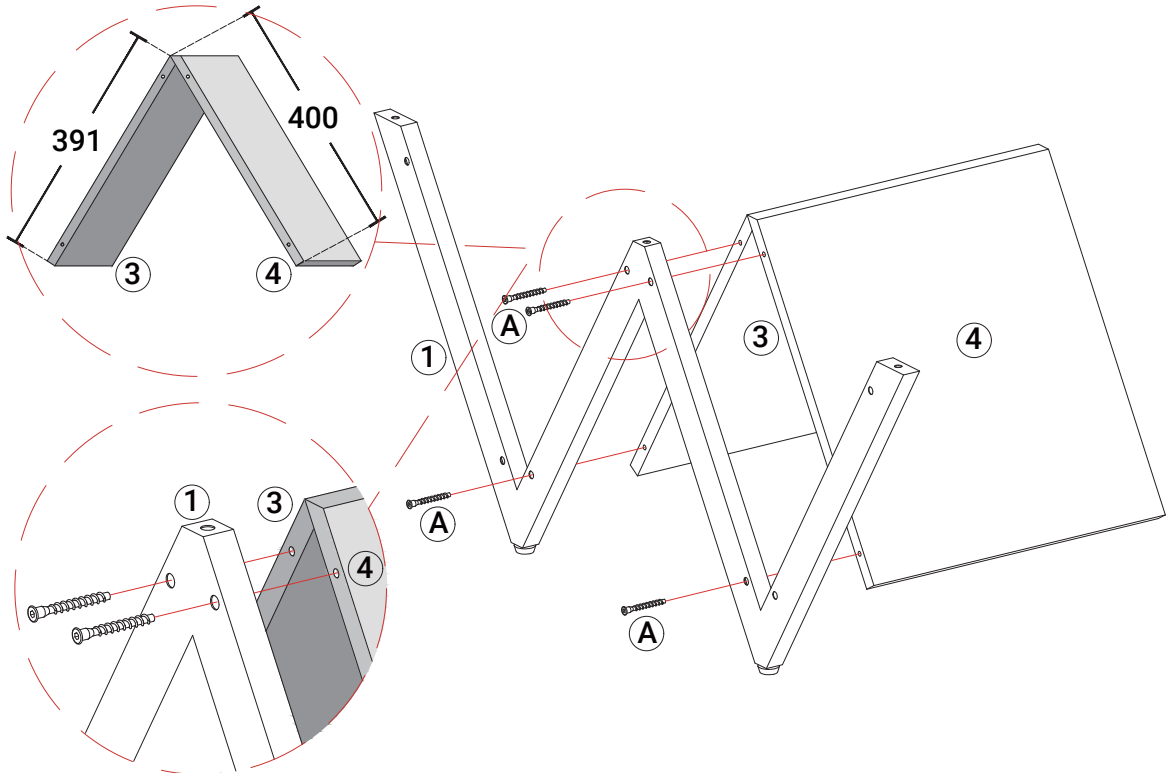
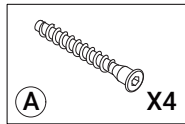




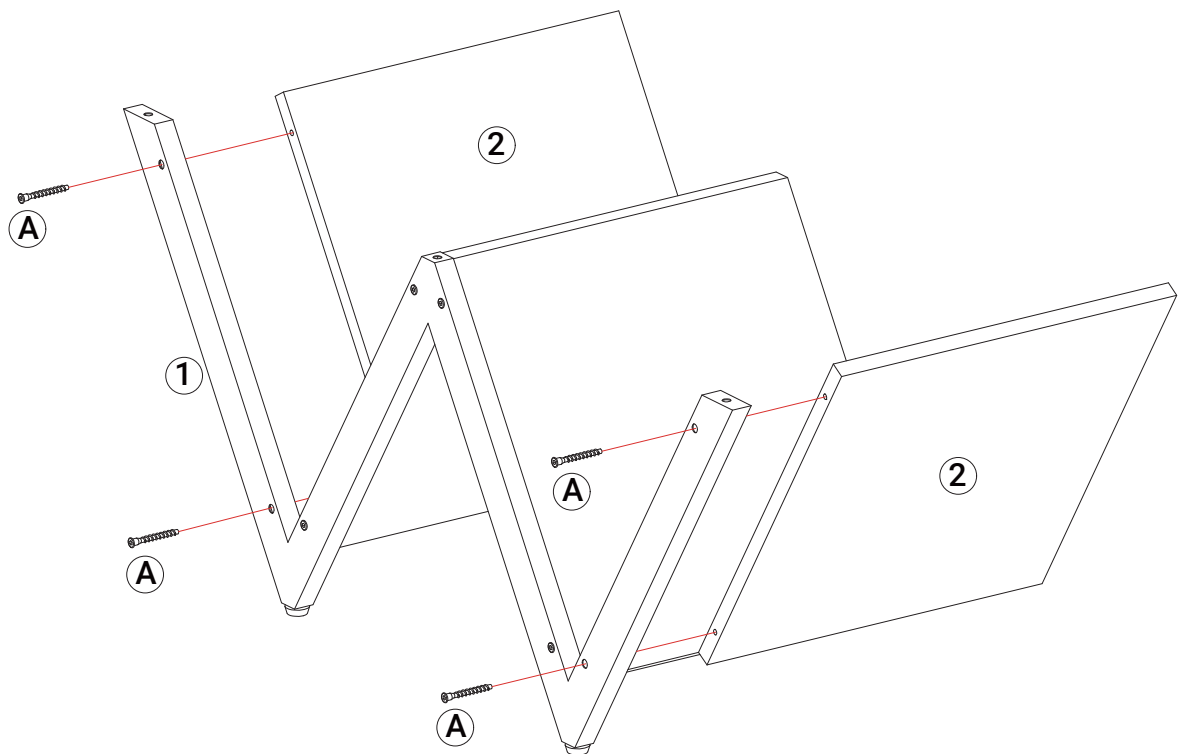
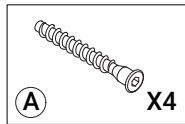
Step 1 | Let's get started. Start by adding the feet (B) to the support frames (1).



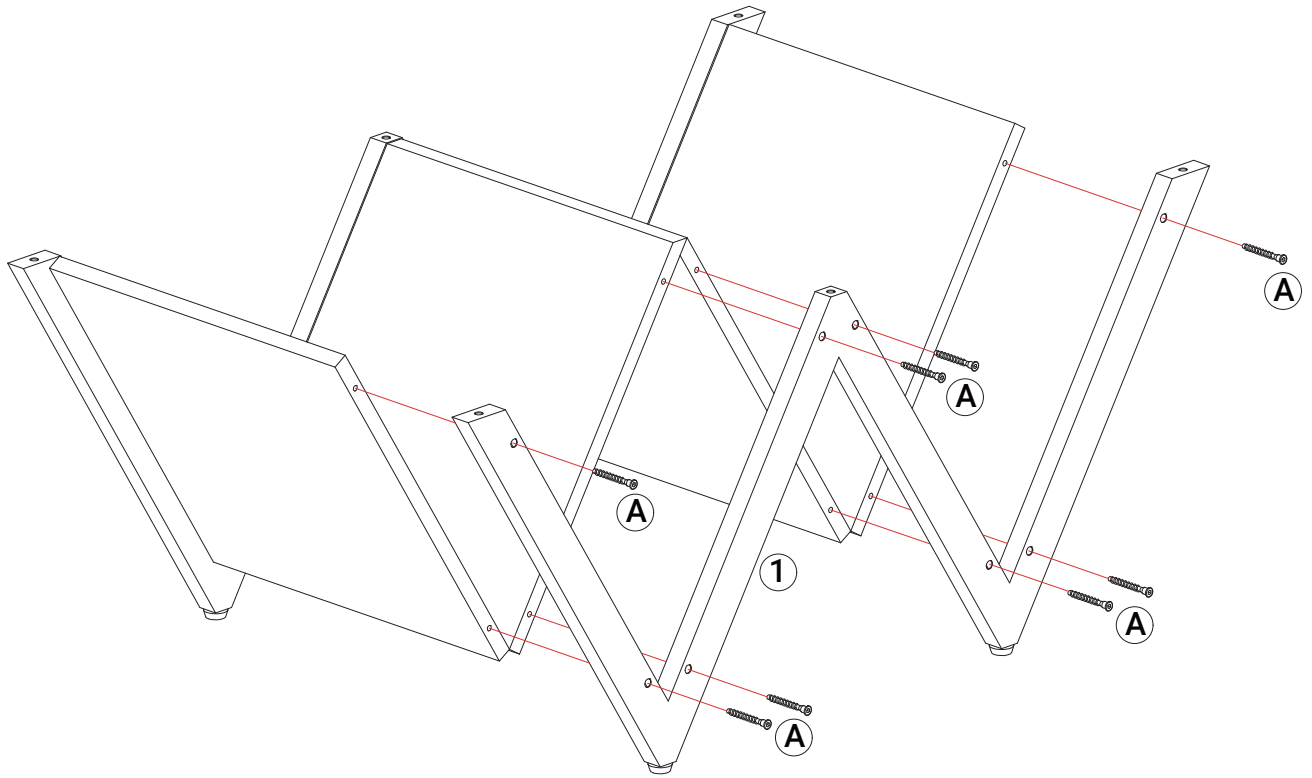
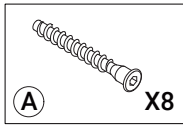
Step 2 | Next, install boards 3 and 4 to one support frame (1) using 4 wood hex screws (A) as indicated in the image. Pay special attention that board 4 is situated on top of board 3.



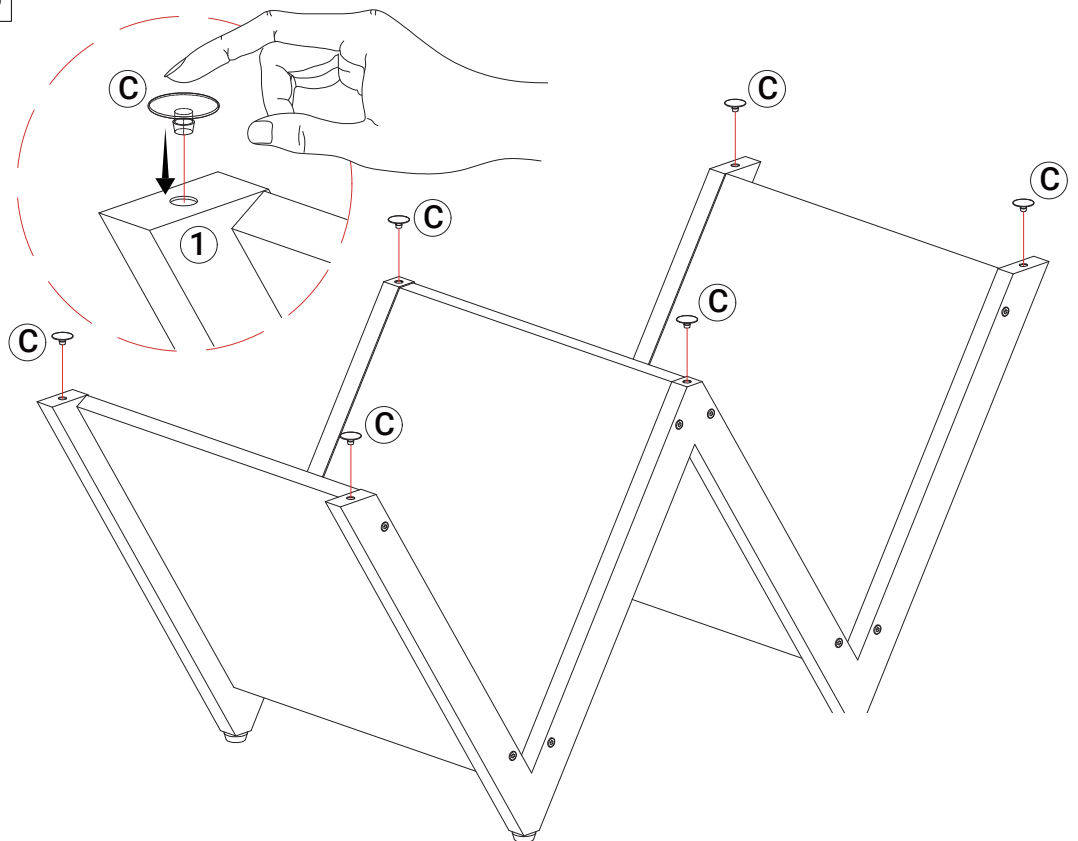
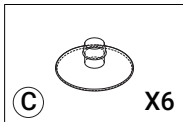
Step 3 | Next, install boards 2 using 2 wood hex screws (A) for each board.



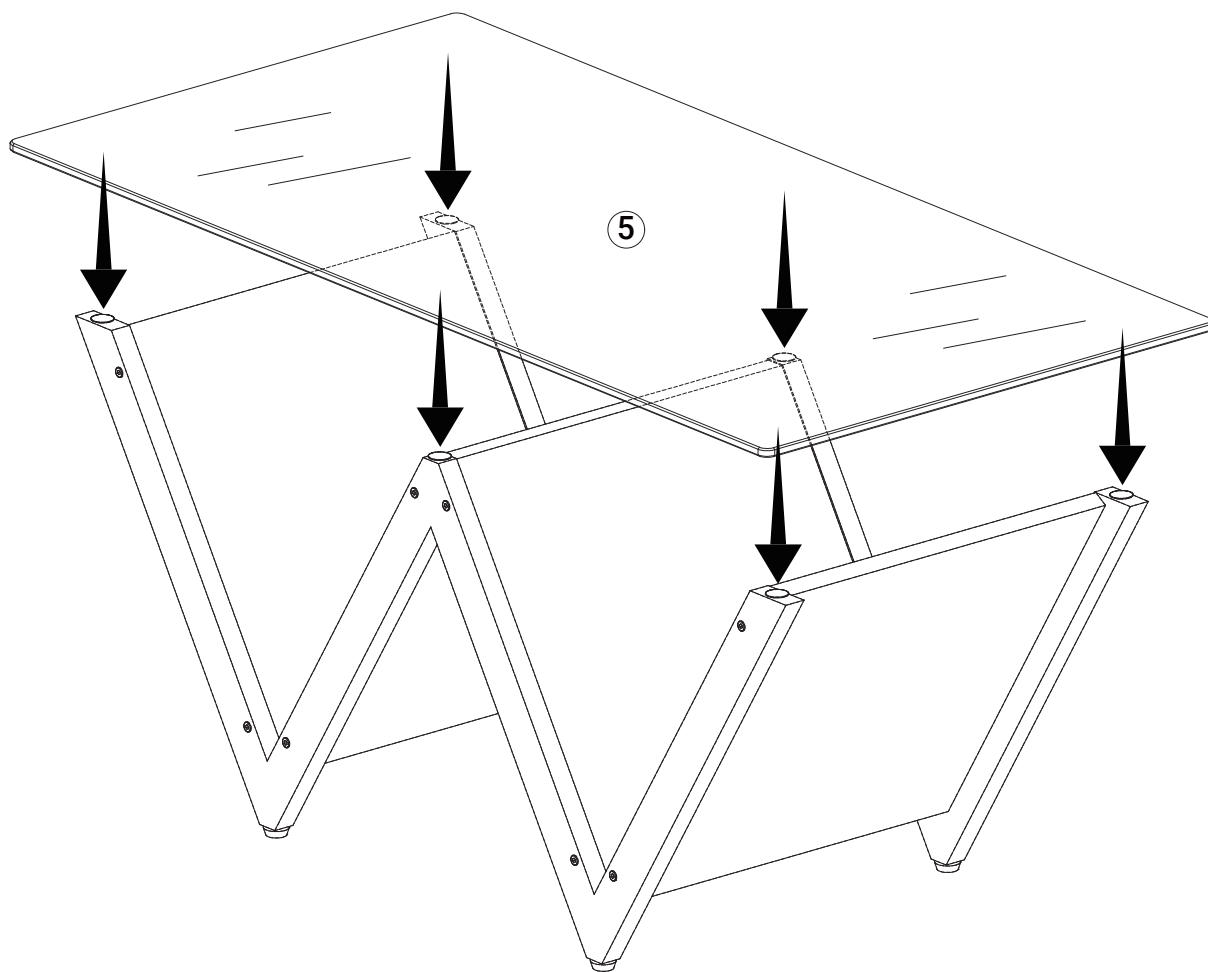
Step 4 | Now add the other support (1) using 8 wood hex screws (A).



Step 5 | Next add the 5 glass protectors (C) to the spots indicated by the image.



Step 6 | Finally, carefully place the glass top (5) on the table.



Step 7 | Now that all your hard work is done, it's time to relax and enjoy your craftsmanship!

